

SolaX DataHub1000



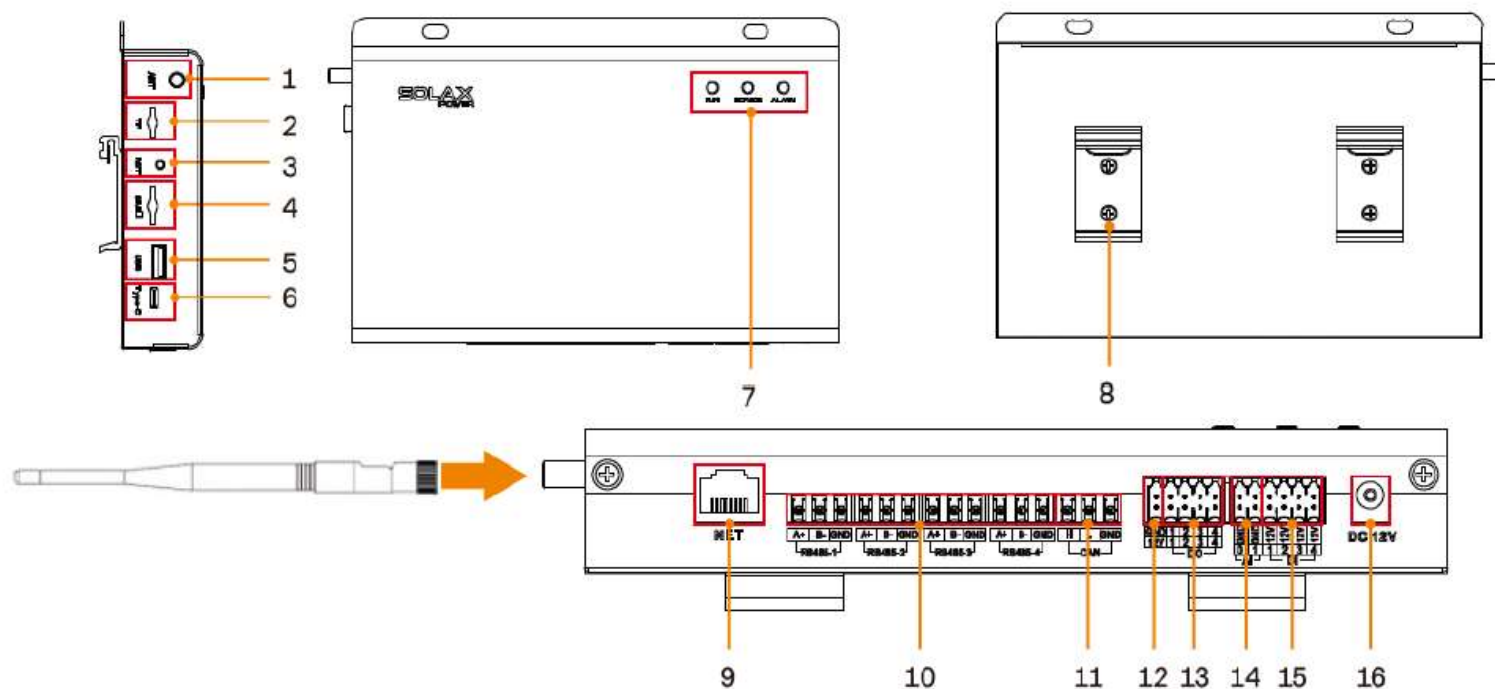
SolaX Smart Energy Management Product

Feature

- Local & Remote monitoring, setting and upgrade of batch inverters
- Intelligent export control, DRM control, ripple control and etc. of batch inverters
- Support large-capacity data storage
- Support IEC104 protocol

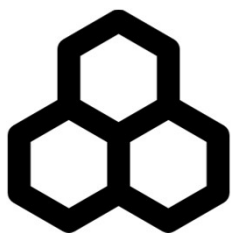


PORTS



- (1) Antenna jack
- (2) TF card socket (TF)
- (3) RST button (RST)
- (4) SIM card socket (SIM)
- (5) USB socket (USB)
- (6) TYPE-C socket
- (7) LED indicator (RUN,SERVER,ALARM)
- (9) NET socket (NET)
- (11) CAN socket (CAN)
- (13) DO socket (DO)
- (15) DI socket (DI)

- (8) Rail clip
- (10) RS485 socket (RS485)
- (12) 12V power output (12V/GND)
- (14) AI socket (AI)
- (16) 12V power input (DC12V)



Product Name	DataHub
Model	DataHub1000
Power Adapter	100-240V 50/60HZ 1.5A AC input 12V 2A DC output
Wireless Module	Wi-Fi 2.4GHz
Ethernet	10/100M
Manage Device Quantity	60
Interface	RS485*4, CAN*1, NET*1
Dry Contactor	AI*2, DI*4, DO*4
Data Transfer Interval	5 mins
Expanded Storage Capacity	8G/16G TF card (Optional)
Dimensions	205*124*33 mm
Weight	440g
Degree of Protection	IP21
Operating Temperature Range	-20°C ~ +60°C

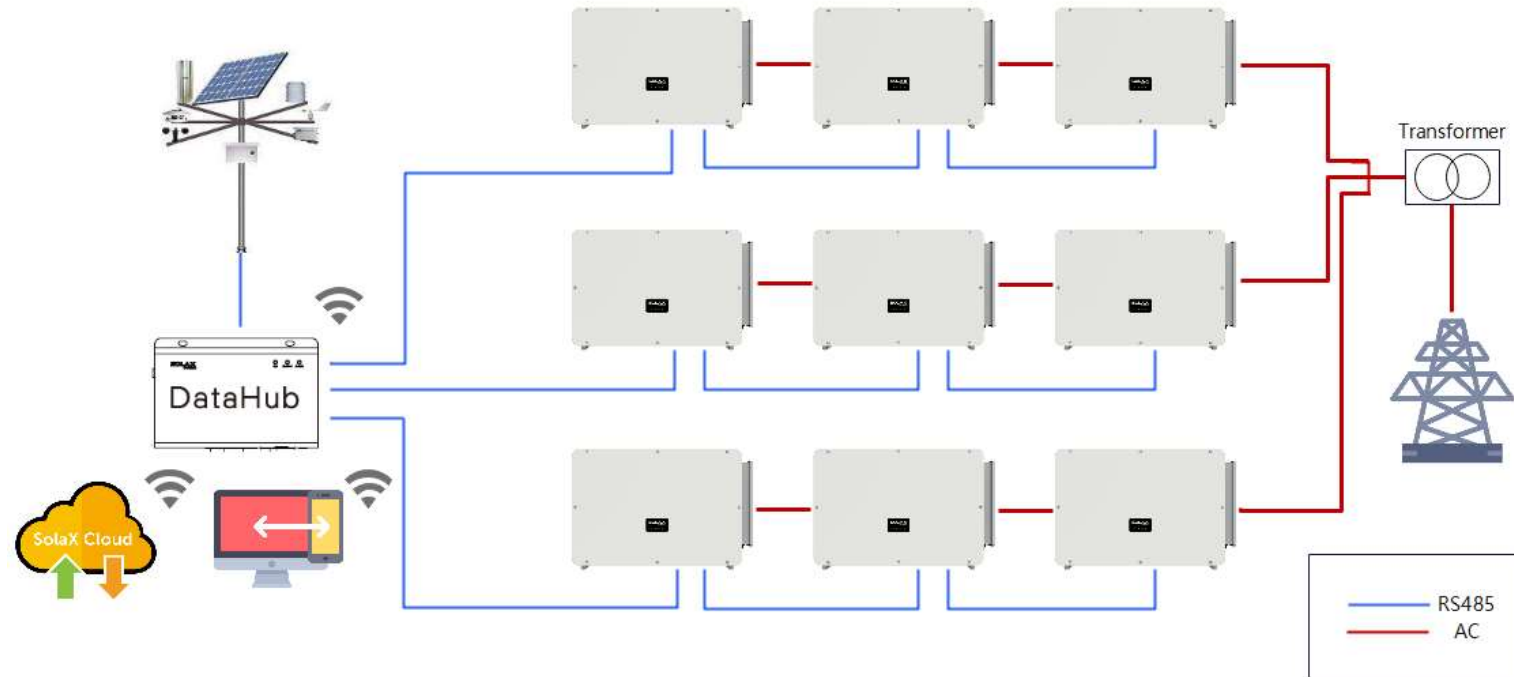
Specification



Parallel Solution

Datahub provides three RS485 ports for cascading inverters. Each port supports 20 units (**Max. 60** in total)

- ◆ **Smart datalogging with meteostation**
- ◆ **Monitor all units on ONE platform - SOLAX CLOUD**
- ◆ **Compatible with Third-party platform**
- ◆ **7x24H Operation & Maintenance**
- ◆ **Support Remote Power Control, API Control, Remote Shutdown .etc**

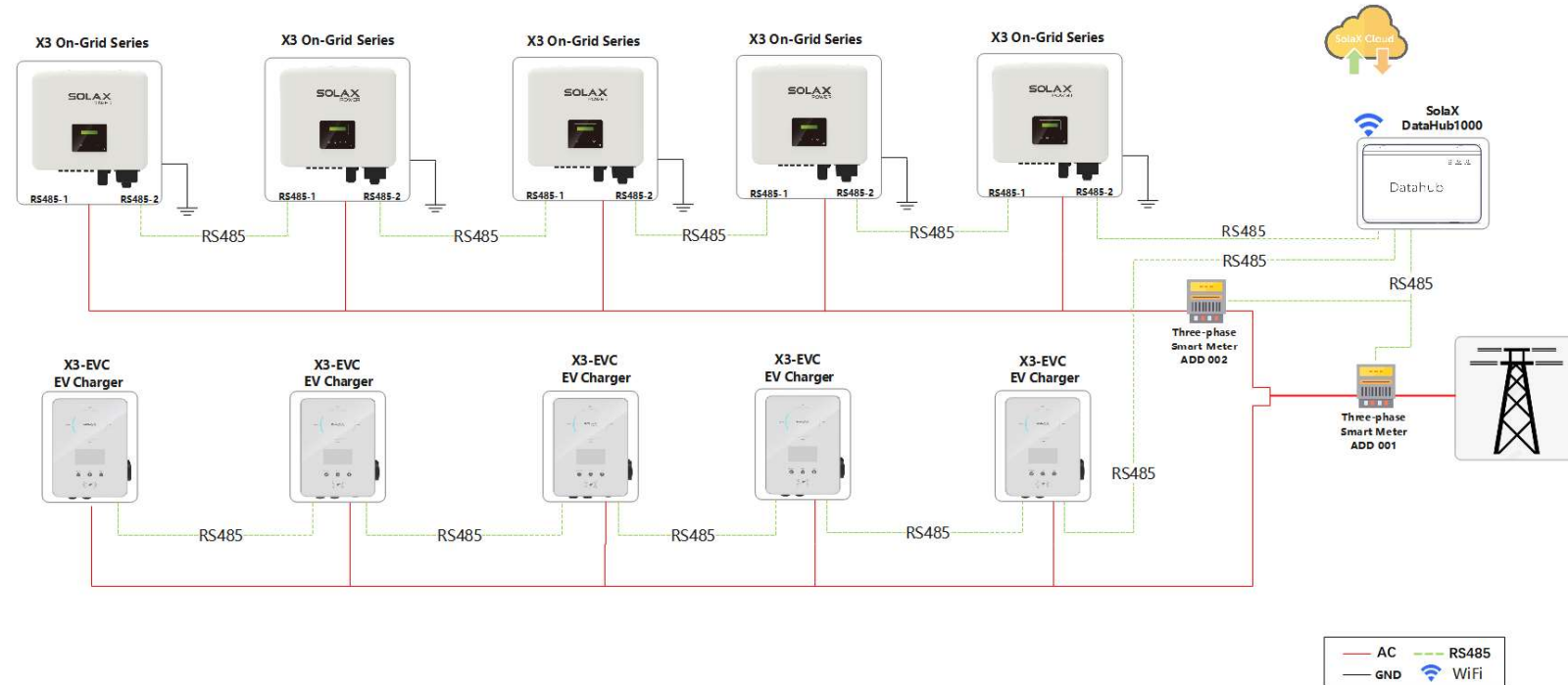


- Max. 60 units of X3-FTH inverters can be in parallel.
- The communication are RS485 Modbus, and Datahub will be the Master.
- The inverter model series on each RS485 port should be the same.(Max. 20)
- Currently compatible inverters: X3-MIC G2, X3-PRO G2, X3-MGA G2, X3-FTH.

EV Charger Parallel Solution

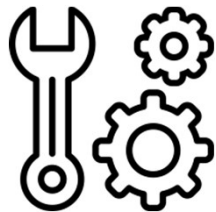
Datahub also supports EV Charger parallel to achieve a larger Solar powered EV Charging Station project.

- ◆ **Monitor all units on ONE platform - SOLAX CLOUD**
- ◆ **Compatible with Third-party platform**
- ◆ **7x24H Operation & Maintenance**
- ◆ **Support Remote Power Control, API Control, Remote Shutdown .etc**
- ◆ **Multiple EV Charging Management Modes**



- The communication are RS485 Modbus, and Datahub will be the Master.
- The inverter model series on each RS485 port should be the same.(Max. 20)
- Currently compatible inverters: X3-MIC G2, X3-PRO G2, X3-MGA G2, X3-FTH.
- Max. 20 units of X3-EVC

Power Control Function - Export Limit Control



Export Limit Control

Enable Disable Enable

Control Mode: Total

* Export Power(%) 0.0

● Feedin [+], Consumed [-]

Reset Submit

“Total”: The Site Limit is the total export power (the combined production minus the combined consumption) on all the phases combined. Reverse current on one phase will count as negative power and can compensate for another phase.

“Per Phase”: For three phase inverter connections, the inverter sets the limit on each phase to 1/3 of the total site limit. Use this mode if there is a limit on each individual phase.

Power Control - Ripple Control Receiver

Ripple Control Receiver is a receiver device that can analyze the high-frequency signal sent from grid operator and trigger different status of switches according. Each status can be set and linked with a power control scenario.

There are a total of 16 situations for users to set the active and reactive power according to each situation.

Ripple Control Receiver
 DRED Control
 Disable

D1 D2 D3 D4	Enable	Setting	Active Power%(0-100)	Power Factor%(80-100)	Reactive Mode
○○○○	<input type="checkbox"/>	Please Select	0-100	80-100	Please Select
●○○○	<input type="checkbox"/>	Please Select	0-100	80-100	Please Select
●●○○	<input type="checkbox"/>	Please Select	0-100	80-100	Please Select
●●●○	<input type="checkbox"/>	Please Select	0-100	80-100	Please Select
●●●○	<input type="checkbox"/>	Please Select	0-100	80-100	Please Select
●●●○	<input type="checkbox"/>	Please Select	0-100	80-100	Please Select
●●●○	<input type="checkbox"/>	Please Select	0-100	80-100	Please Select
●●●○	<input type="checkbox"/>	Please Select	0-100	80-100	Please Select
●●●○	<input type="checkbox"/>	Please Select	0-100	80-100	Please Select
●●●○	<input type="checkbox"/>	Please Select	0-100	80-100	Please Select
●●●○	<input type="checkbox"/>	Please Select	0-100	80-100	Please Select
●●●○	<input type="checkbox"/>	Please Select	0-100	80-100	Please Select
●●●○	<input type="checkbox"/>	Please Select	0-100	80-100	Please Select
●●●○	<input type="checkbox"/>	Please Select	0-100	80-100	Please Select
●●●○	<input type="checkbox"/>	Please Select	0-100	80-100	Please Select

Ripple Control Receiver
 DRED Control
 Disable

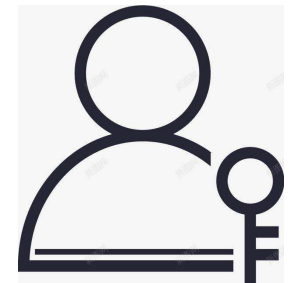
Current Status	DRM Mode	A0	A1	D1	D2	D3	Inverter Power
0		●	●	●	●	●	Turn Off
1		●	●	●	●	●	Input active power 0%
5		●	●	●	●	●	Output active power 0%
6		●	●	●	●	●	Output active power 50%
7		●	●	●	●	●	Output active power 75%
8		●	●	●	●	●	Output active power 100%

DERD

Set active power according to high or low input of the A0, A1, D1, D2 and D3 of DI ports.

Multiple permissions

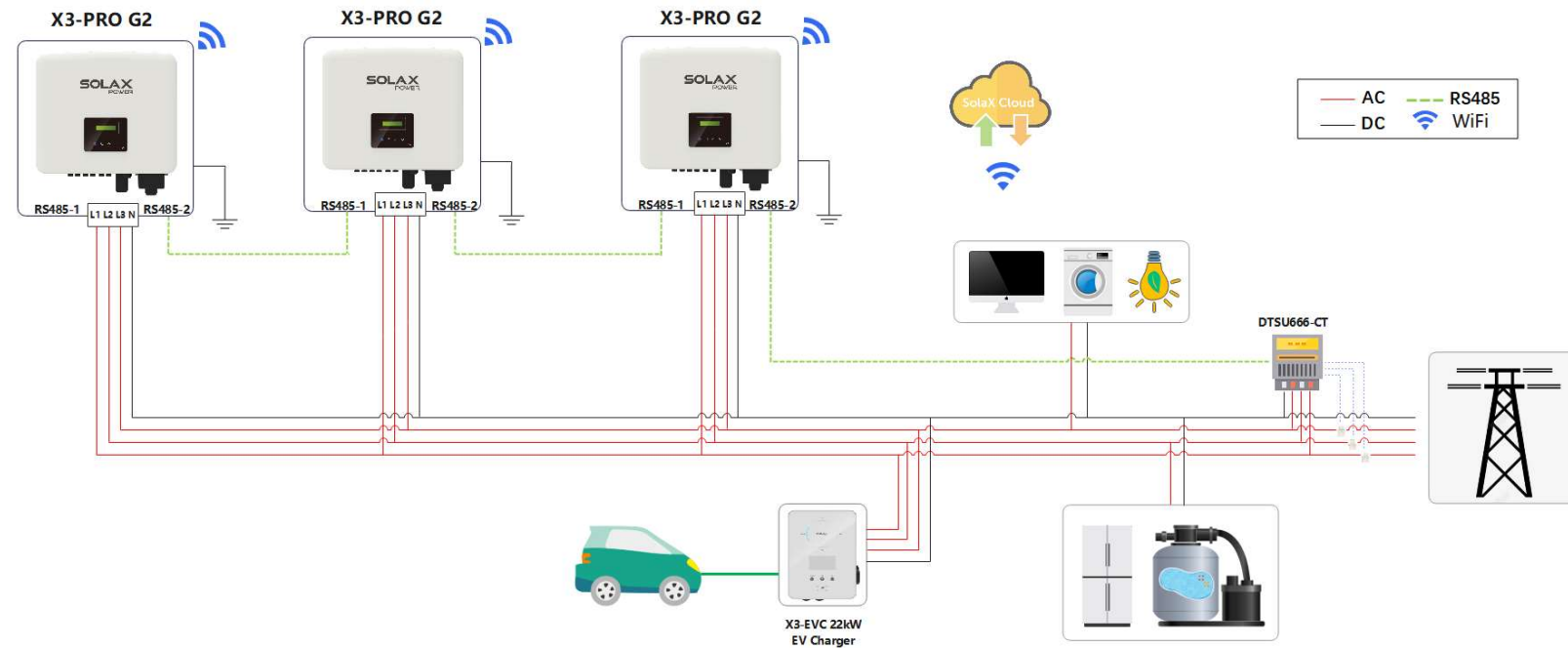
- Administrator account: use all the function of DataHub.
- User account: monitoring, set and control devices, but can't reset password or other configuration of DataHub.
- Visitor account: only monitoring the devices.



X3-PRO G2 Parallel Solution

X3-PRO G2 also supports multiple units in parallel without Datahub to achieve a larger solar power plant.

- ◆ Monitor all units on ONE platform - SOLAX CLOUD
- ◆ Max. 5 units of X3-PRO G2
- ◆ 7x24H Operation & Maintenance
- ◆ Support Remote Power Control, API Control, Remote Shutdown .etc



- The communication are RS485 Modbus, and one need to be set as Master.
- Each inverter shall have one Pocket WiFi 3.0(LAN/4G Optional) plugged.
- NOTE: X3-MIC G1/G2, X3-PRO G1, X3-MEGA G1, X3-MAX CAN **NOT** support parallel solution in this way.