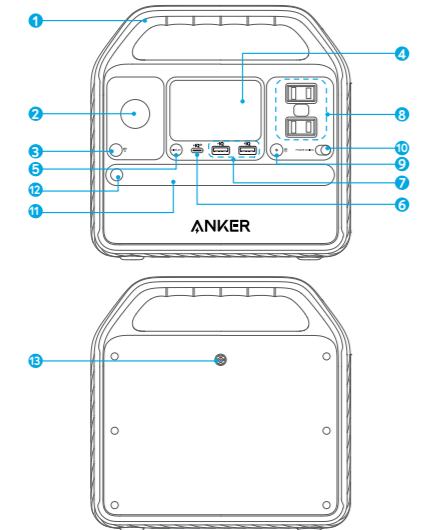




Charge Fast, Live More

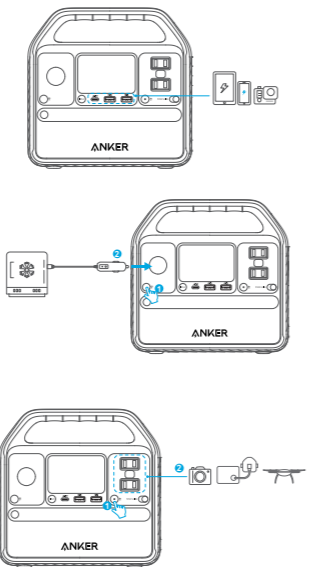
Anker 521 Portable Power Station (PowerHouse 256Wh) USER MANUAL

Overview



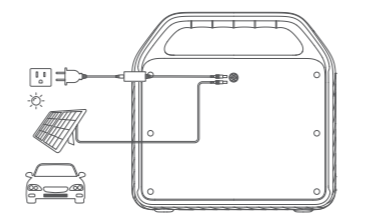
- 1 Handle
- 2 Car Socket
- 3 Car Socket On/Off Button
- 4 LCD Screen
- 5 LCD Screen On/Off Button
- 6 USB-C Input/Output Port
- 7 USB-A Output Port
- 8 AC Output Port
- 9 AC Output Port On/Off Button
- 10 Power Saving Mode On/Off Switch
- 11 Ambient Light
- 12 Ambient Light On/Off Button
- 13 DC Input Port

Charging



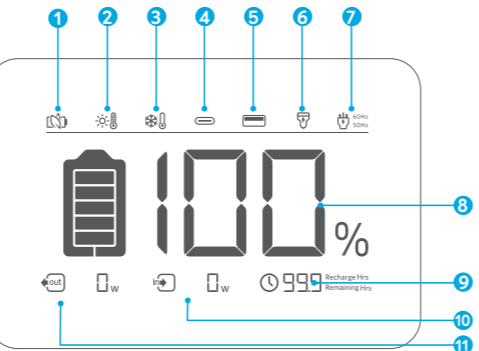
- The USB-A and USB-C ports support plug and charge. When devices are plugged in, they will start charging automatically; when devices are unplugged, they will turn off automatically.
- The car socket and AC output port do not support plug and charge. Use the corresponding on/off buttons to turn them on before charging.
- To avoid draining the battery, we recommend keeping Power Saving Mode turned on except when you are charging low-powered devices like CPAP machines and cameras.
- The max power output of the AC port is 200W. If you use the AC port for devices greater than 200W, the product will automatically turn off.

Recharging



- When your portable power station only has 1% battery remaining, the Remaining Battery indicators will flicker to remind you to recharge the product.

LCD Screen Guide



- 1 Power Saving Mode
- 2 High-Temperature Alert
 - When this icon shows, stop using the product and leave it to cool down until the icon disappears.
- 3 Low-Temperature Alert
 - When this icon shows, stop using the product until the icon disappears.
- 4 USB-C Input/Output Port
- 5 USB-A Output
- 6 Car Charging
- 7 AC Charging and Local Current Frequency
- 8 Remaining Battery
- 9 Remaining Battery in Hours
- 10 Current Input Power
- 11 Current Output Power

Specifications

Cell Capacity	256 Wh
DC Input	11-28V = 5.5A (65W Max)
Car Charger Output	12V = 10A
AC Output	110V~ 1.82A, 50Hz/60Hz, 200W
USB-A Output	5V = 3.6A (2.4A Max Per Port)
USB-C Input	5V = 3A/ 9V = 3A/ 15V = 3A/20V = 3A (60W Max)
USB-C Output	5V = 3A/ 9V = 3A/ 15V = 3A/20V = 3A (60W Max)
Operating Temperature	32°F-104°F / 0°C-40°C
Ambient Temperature	32°F-104°F / 0°C-40°C
Size	21.6*21.14*14.4cm/ 8.5*8.32*5.67inches
Weight	4.34kg/ 9.57lbs

Attention
 Not permitted on aircraft.
 To preserve battery lifespan, use and recharge at least once every 3 months.

IMPORTANT SAFETY INSTRUCTIONS

- WARNING - When using this product, basic precautions should always be followed, including the following:
 Read all the instructions before using the product.
- To reduce the risk of injury, close supervision is necessary when the product is used near children.
 - Do not put fingers or hands into the product.
 - Do not expose the product to rain or snow.
 - Use of a power supply or charger not recommended or sold by the product manufacturer may result in a risk of fire or injury to persons.
 - Do not use the product that is damaged or modified. Damaged or modified batteries may exhibit unpredictable behavior resulting in fire, explosion or risk of injury.
 - Do not disassemble the product. Take it to a qualified service person when service or repair is required. Incorrect reassembly may result in a risk of fire or injury.
 - Have servicing performed by a qualified repair person using only identical replacement parts. This will ensure that the safety of the product is maintained.
 - Turn off when not in use.
 - Store product in a cool and dry place.
 - Do not store the product in a hot or humid environment.
 - Operating temperature should be between 32°F / 0°C and 104°F / 40°C.
 - If the product is not used for long periods of time, you should charge and discharge once every three months.
 - When charging a device, the product may feel warm, this is a normal operating condition and should not be cause for concern.
 - In normal conditions, the battery performance will decline over several years.
 - Do not clean the product with harmful chemicals or detergents.
 - Misuse, dropping or excessive force may cause product damage.
 - When disposing of secondary cells or batteries, keep cells or batteries of different electrochemical systems separate from each other.

SAVE THESE INSTRUCTIONS

FCC Statement
 This device complies with Part 15 of the FCC Rules. Operation is subject to the following two conditions: (1) This device may not cause harmful interference, and (2) this device must accept any interference received, including interference that may cause undesired operation.
Warning: Changes or modifications not expressly approved by the party responsible for compliance could void the user's authority to operate the equipment.
Note: This equipment has been tested and found to comply with the limits for a Class B digital device, pursuant to Part 15 of the FCC Rules. These limits are designed to provide reasonable protection against harmful interference in a residential installation.
 This equipment generates, uses, and can radiate radio frequency energy and, if

not installed and used in accordance with the instructions, may cause harmful interference to radio communications. However, there is no guarantee that interference will not occur in a particular installation. If this equipment does cause harmful interference to radio or television reception, which can be determined by turning the equipment off and on, the user is encouraged to try to correct the interference by one or more of the following measures:
 (1) Reorient or relocate the receiving antenna.
 (2) Increase the separation between the equipment and receiver.
 (3) Connect the equipment into an outlet on a circuit different from that to which the receiver is connected.
 (4) Consult the dealer or an experienced radio / TV technician for help.

The following importer is the responsible party.
 Company Name: Fantasia Trading LLC
 Address: 5350 Ontario Mills Pkwy, Suite 100, Ontario, CA 91764
 Telephone: +1-800-988-7973
IC Statement
 This device complies with Industry Canada license-ICES-003. Operation is subject to the following two conditions: (1) This device may not cause interference, and (2) This device must accept any interference, including interference that may cause undesired operation of the device.

Le présent appareil est conforme aux CNR d'Industrie Canada applicables aux appareils radio exempts de licence. L'exploitation est autorisée aux deux conditions suivantes : (1) l'appareil ne doit pas produire de brouillage, et (2) l'utilisateur de l'appareil doit accepter tout brouillage radioélectrique subi, même si le brouillage est susceptible d'en compromettre le fonctionnement.

Declaration of Conformity
 Hereby, Anker Innovations Limited declares that the product type A1720 is in compliance with Directives 2014/35/EU & 2014/30/EU & 2011/65/EU. The full text of the EU declaration of conformity is available at the following internet address: <https://www.anker.com>
GB Declaration of Conformity
 Hereby, Anker Innovations Limited declares that the product type A1720 is in compliance with Electrical Equipment (Safety) Regulations 2016 & Electromagnetic Compatibility Regulations 2016 & The Restriction of the Use of Certain Hazardous Substances in Electrical and Electronic Equipment Regulations 2012. The full text of the GB declaration of conformity is available at the following internet address: <https://www.anker.com>.

Anker Innovations Limited | Room 1318-19, Hollywood Plaza, 610 Nathan Road, Mongkok, Kowloon, HongKong
 Anker Innovations Deutschland GmbH | Georg-Muche-Strasse 3, 80807 Munich, Germany
 Anker Technology (UK) Ltd | Suite B, Fairgate House, 205 Kings Road, Tyseley, Birmingham, B11 2AA, United Kingdom

Customer Service

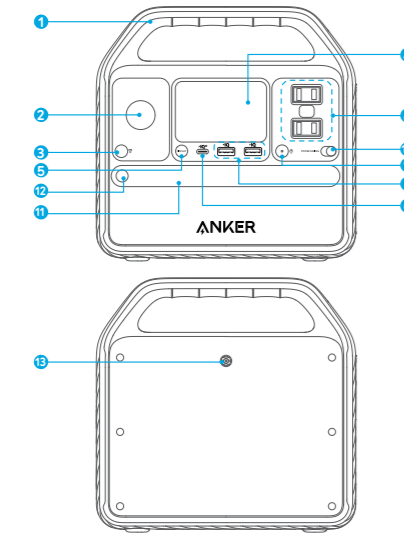
- 24-Month Limited Warranty
- Lifetime Technical Support
- support@anker.com
support.me@anker.com (For Middle East and Africa Only)

- (US) +1 (800)988 7973 Mon-Fri 6:15 - 17:00 (PT)
(UK) +44 (0) 1604 936200 Mon-Fri 6:00-17:00; Sat-Sun 6:00-14:00
(DE) +49 (0) 69 9579 7960 Mo-Fr 6:00 - 11:00
(Middle East & Africa) +971 42463266 Sun-Thu 9:00 - 17:30
(UAE) +971 8000320817 Sun-Thu 9:00 - 17:30
(KSA) +966 8008500030 Sun-Thu 8:00 - 16:30
(Kuwait) +965 22069086 Sun-Thu 8:00 - 16:30
(Egypt) +20 8000000826 Sun-Thu 7:00 - 15:30
(AU) +61 3 8331 4800 Mon-Fri 8:30 - 17:00 (AEST)
(TR) +90 0850 460 14 14 Mon-Fri 9:00 - 18:00
(RU) +8 (800) 511-86-23 Mon-Fri 9:00 - 18:00 (MSK)
(中国) +86 400 0550 036 周一至周五 9:00 - 17:30
(日本) 03 4455 7823 月 - 金 9:00 - 17:00
(한국) +82 02-1670-7098 월 - 금 10:00 - 17:00

For FAQs and more information, please visit:
anker.com/support

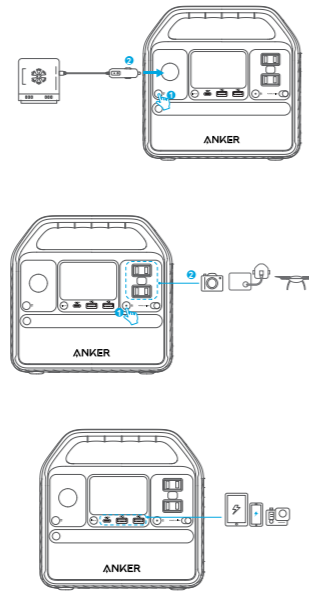


概観



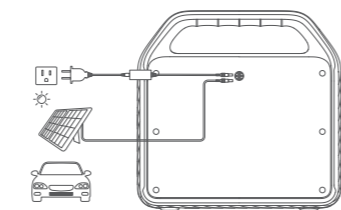
- 1 ハンドル
- 2 シガーソケット
- 3 シガーソケット出力スイッチ
- 4 液晶画面
- 5 液晶画面スイッチ
- 6 USB-C 入出力ポート
- 7 USB-A 出力ポート
- 8 AC 出力ポート
- 9 AC 出力スイッチ
- 10 省電力モードスイッチ
- 11 環境光
- 12 アンビエントライトボタン
- 13 DC 入力ポート

機器の充電



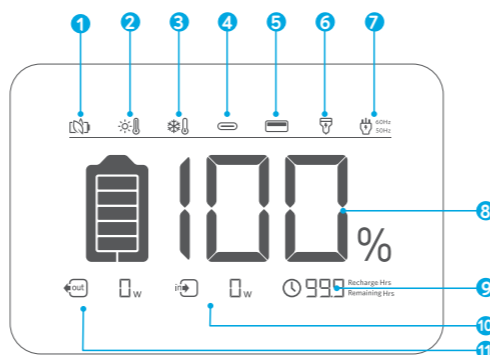
1. USB-A および USB-C ポートに機器を接続すると、自動的に充電を開始します。機器を取り外すと、自動的に充電を停止します。
2. シガーソケットと AC 出力ポートは、接続時に自動で充電が開始されません。充電する前に、対応する出力スイッチをオンにしてください。
3. バッテリー消費を抑えるため、カメラなどの低電力機器を充電する場合を除いて、省電力モードにしておくことをお勧めします。
4. AC ポートの最大出力は 200W です。定格消費電力が 200W を越える機器を AC ポートに接続した場合、自動的にオフになります。

本製品の充電



- ポータブル電源のバッテリー残量が 1% しかない場合、バッテリー残量インジケーターが点滅して、製品の再充電を促します。

液晶画面ガイド



省エネモード



高温注意

- このアイコンが表示された場合、アイコンが消えるまで本製品の使用を停止してください。



低温注意

- このアイコンが表示された場合、アイコンが消えるまで本製品の使用を停止してください。



USB-C 入出力



USB-A 出力



シガーソケットからの充電



AC 出力と電源周波数



バッテリー残量



バッテリー残量 (時間)



電流入力



電流出力

製品の仕様

セル容量	256 Wh
DC 入力	11-28V ≒ 5.5A (最大 65W)
シガーソケット出力	12V ≒ 10A
AC 出力	110V~ 1.82A, 50Hz/60Hz, 200W
USB-A 出力	5V ≒ 3.6A (ポートあたり最大 2.4A)
USB-C 入力	5V ≒ 3A/ 9V ≒ 3A/ 15V ≒ 3A/20V ≒ 3A (最大 60W)
USB-C 出力	5V ≒ 3A/ 9V ≒ 3A/ 15V ≒ 3A/20V ≒ 3A (最大 60W)
動作温度	0°C ~ 40°C
環境光	0°C ~ 40°C
サイズ	約 21.6 x 21.14 x 14.4cm
重さ	約 4.34kg

注意



航空機に持ち込むことはできません。



長期保管する場合は、バッテリー寿命を長く保つために少なくとも 3 ヶ月に 1 度 60%-80% まで充電いただくことを推奨いたします。

安全にご使用いただくために

警告 - 本製品を使用する際には、下記の注意事項をお守りください。

製品を使用する前に、すべての指示をお読みください。

・お子様の近くで使用する場合は、十分安全に配慮して使用してください。

・製品のポートに指や手など身体の一部および異物を入れないでください。

・本製品を雨や雪にさらさないでください。

・製造元により販売または推奨されていない充電器などを使用した場合、

火事や怪我を招く恐れがあります。

・本製品が破損している場合、使用を中止しカスタマーサポートにお問い合わせください。破損や改造されたバッテリーは、火事、爆発、または怪我を招く危険性があります。

・危険ですので分解しないでください。故障だと思われる場合は、カスタマーサポートまでご連絡ください。分解したり誤って組み立てると火事や怪我につながる恐れがあります。

・ご使用にならない場合は、すべての出力スイッチをオフにしてください。

・涼しくて乾燥した場所に保管してください。

・本製品の動作温度は、約 0°C-40°C です。

・お使いの機器を充電する際、本体が温くなる場合がありますが、異常ではありません。

・正しくお使いいただいた場合でも、内蔵バッテリーの性能は経年劣化します。

・お手入れの際に、危険性のある化学製品や洗剤などを使用しないでください。

・誤使用、落下また過度な衝撃は製品の故障につながる恐れがあります。

この取扱説明書は大切に保管してください

カスタマーサポート



通常保証 24 ヶ月 (延長あり)



テクニカルサポート



support@anker.com

support.me@anker.com (For Middle East and Africa Only)



(US) +1 (800)988 7973 Mon-Fri 6:15 - 17:00 (PT)

(UK) +44 (0) 1604 936200 Mon-Fri 6:00-17:00; Sat-Sun 6:00-14:00

(DE) +49 (0) 69 9579 7960 Mo-Fr 6:00 - 11:00

(Middle East & Africa) +971 42463266 Sun-Thu 9:00 - 17:30

(UAE) +971 8000320817 Sun-Thu 9:00 - 17:30

(KSA) +966 8008500030 Sun-Thu 8:00 - 16:30

(Kuwait) +965 22069086 Sun-Thu 8:00 - 16:30

(Egypt) +20 8000000826 Sun-Thu 7:00 - 15:30

(AU) +61 3 8331 4800 Mon-Fri 8:30 - 17:00 (AEST)

(TR) +90 0850 460 14 14 Mon-Fri 9:00 - 18:00

(RU) +8 (800) 511-86-23 Mon-Fri 9:00 - 18:00 (MSK)

(中国) +86 400 0550 036 周一至周五 9:00 - 17:30

(日本) 03 4455 7823 月 - 金 9:00 - 17:00

(韓国) +82 02-1670-7098 월 - 금 10:00 - 17:00